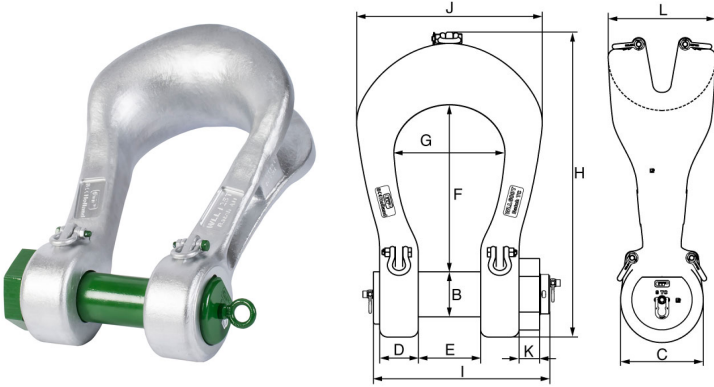




Green Pin Power Sling® Shackle with Safety Nut & Bolt Pin – GPPOW



- Grade 8 alloy steel body and pin, quenched and tempered.
- Shackle body silver painted, pin green painted.
- Minimum breaking load is 5 times the W.L.L.
- Temperature range -40°C up to +200°C.
- Full CAD support available upon request.
- Certification available **2.1** **3.1** **LROS** **MPI** **US** **DNV GL 0377** **DNV GL 0378**

The Green Pin Power Sling Shackle lets you save up to 20% on synthetic and wire rope costs thanks to its revolutionary design. It has an optimal D/d ratio and the widest crown (+10%) in the industry. Each shackle has been individually proof load tested to twice the Working Load Limit; more than any other competing product. Material characteristics have been thoroughly examined, both internally and in the shackle's surface, by MPI-tests, ultrasonic inspection & X-ray tests. The Power Sling also offers riggers great handling thanks to the lower body weight, multiple handling points & RFID-chips in both shackle body and pin.

P-6043

Product Code	W.L.L. t	B mm	C mm	D mm	E mm	F mm	G mm	H mm	I mm	J mm	K mm	L mm	Weight kg / ea	Technical Specifications
GPPOW125	125	80	166	85	134	364	220	631	382	370	36	205	95	Download
GPPOW150	150	95	182	90	144	389	250	703	408	420	42	248	134	Download
GPPOW200	200	105	204	100	154	479	276	838	446	475	47	290	195	Download
GPPOW250	250	120	238	110	174	539	300	938	503	515	60	314	271	Download
GPPOW300	300	134	260	121	189	599	350	1031	550	605	60	345	368	Download
GPPOW400	400	160	305	140	224	620	370	1123	645	652	80	392	563	Download
GPPOW500	500	180	340	152	255	679	450	1239	714	763	85	440	786	Download
GPPOW600	600	200	365	170	280	739	490	1353	788	820	90	475	1,009	Download
GPPOW700	700	215	405	190	320	750	540	1415	879	895	100	512	1,288	Download
GPPOW800	800	230	430	200	347	850	554	1547	942	917	108	536	1,503	Download
GPPOW900	900	255	476	215	373	850	580	1598	1013	970	120	536	1,849	Download
GPPOW1000	1,000	270	500	232	404	850	614	1642	1085	1022	125	590	2,188	Download
GPPOW1250	1,250	300	570	245	442	928	650	1812	1164	1144	140	670	2,933	Download